



PROJECT NAME: _____ CAT. #: _____
 NOTES: _____ FIXTURE SCHEDULE: _____

LED High Bay Linear HL Select Series

Product Description

The HLS LED Highbay Linear Series offers industry leading efficacy (150lm/W), customizability with CCT select switch (4000K & 5000K) and scalability with a Wattage select model, for high ceiling applications such as warehouses, distribution centers, manufacturing facilities and big box retailers. This compact highbay covers a wide range of applications with 17,000 lumens at just 1.4 ft length, all the way up to 60,000 lumens at 3.7 ft length. The product comes integrated with a sensor port for easy in-field plug and play sensor installation, compatible with Maxlite c-Max system (DLC NLC qualified), making it attractive for large utility rebates.

Features

- V-hooks and 40" knotted chain included in standard model
- On EM mode, the fixture output is a minimum of 3750lm for 90 minutes, when fully charged
- CCT Selectable available on all wattages. Fixtures are set to 5000K as a default factory setting
- UL Listed for damp locations

Warranty

- 10 year standard

Controls Ready

MaxLite's new Controls Ready (CR) fixtures allows for quick and easy in-field installation (plug and play) of controls. Simply purchase any CR fixture and the required Controls Node and you're all set! See the accessory table for all controls options available for this fixture.

Controls Features

- Multifunction and Energy Monitoring
- Daylight Sensor
- Occupancy Sensor
- Integral Sensor Receptacle
- High-End Trim
- Bluetooth
- Luminaire Level Lighting Control (LLLC)



Ordering Information

FAMILY	-	WATTAGE	VOLTAGE	LENS	-	CCT SELECT	CONTROLS READY	BBU OPTIONS	CORDS & PLUGS ²
HLS = Linear Strip Gen 3		SELECTABLE	U = 120-277V H = 480V ³	F = Frosted		CS = Color Selectable (4000K/5000K)	CR = Controls Ready	BLANK = None EM = Battery Backup	[BLANK] = None -C = Cord -C1 = 10-FT 3 Wire Cord W 5-15P (120V, 15A) -C2 = 10-FT 3 Wire Cord W L7-15P (277V, 15A) -C4 = 10-FT 3 Wire Cord W L8-20P (480V, 20A)
		78W = 78W/92W/114W ⁴ 135W = 135W/155W/185W ⁴ 200W = 200W/230W/270W ⁴ 270W = 270W/340W/400W ⁴							
		FIXED							
		155 = 155W							

1. Driver transient protection is 6KV. If additional 10KA surge protection is required, contact Maxlite.
2. Contact Maxlite if Cord and Plug options are required for Emergency Back Up units.
3. 480V and Battery Back up option aren't compatible.
4. 480V/ High Voltage is accomplished by step down transformer. It adds 10W to the total output wattage



10-year standard warranty with labor allowance (further details available at www.maxlite.com/warranties)

Warranty Limitations: Product must be rated for application per the Product Data Sheet (PDS); operated ≤16 hrs; in ambient temperatures -4°F to 77°F. If ambient temperatures fall outside the -4°F to 77°F range, product is warranted for 5 years according to the operating temperature range specified on the PDS. Up to \$25/unit; registration required. Additional coverage may be available for purchase; contact MaxLite. Excludes EM/MS versions; component warranty applies.



LED High Bay Linear

HL Select Series

Non-TAA Stocked Items

ORDER CODE	MODEL NUMBER	DLC PRODUCT ID#	PRIMARY USE DESIGNATION	CLASSIFICATION
110407	HLS-078WUF-CSCR	S-7Z5L19	High-Bay Luminaires for Commercial and Industrial Buildings	Premium
110419	HLS-078WUF-CSCREM	S-7Z5L19	High-Bay Luminaires for Commercial and Industrial Buildings	Premium
110701	HLS-135WUF-CSCR	S-22MM5K	High-Bay Luminaires for Commercial and Industrial Buildings	Premium
110703	HLS-135WUF-CSCREM	S-22MM5K	High-Bay Luminaires for Commercial and Industrial Buildings	Premium
110409	HLS-155UF-CSCR	S-KGY52S	High-Bay Luminaires for Commercial and Industrial Buildings	Premium
110421	HLS-155UF-CSCREM	S-KGY52S	High-Bay Luminaires for Commercial and Industrial Buildings	Premium
110411	HLS-200WUF-CSCR	S-TPP5B2	High-Bay Luminaires for Commercial and Industrial Buildings	Premium
110472	HLS-200WUF-CSCREM	S-TPP5B2	High-Bay Luminaires for Commercial and Industrial Buildings	Premium
110412	HLS-270WUF-CSCR	S-VFFFQ7	High-Bay Luminaires for Commercial and Industrial Buildings	Premium



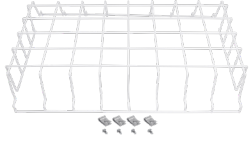


TAA Stocked Items

ORDER CODE	MODEL NUMBER	DLC PRODUCT ID#	PRIMARY USE DESIGNATION	CLASSIFICATION
111477	HLS-078WUF-CSCREMTA	S-7Z5L19	High-Bay Luminaires for Commercial and Industrial Buildings	Premium
110888	HLS-078WUF-CSCRTA	S-7Z5L19	High-Bay Luminaires for Commercial and Industrial Buildings	Premium
111478	HLS-135WUF-CSCREMTA	S-22MM5K	High-Bay Luminaires for Commercial and Industrial Buildings	Premium
110892	HLS-135WUF-CSCRTA	S-22MM5K	High-Bay Luminaires for Commercial and Industrial Buildings	Premium
111479	HLS-155UF-CSCREMTA	S-KGY52S	High-Bay Luminaires for Commercial and Industrial Buildings	Premium
110894	HLS-155UF-CSCRTA	S-KGY52S	High-Bay Luminaires for Commercial and Industrial Buildings	Premium
111480	HLS-200WUF-CSCREMTA	S-TPP5B2	High-Bay Luminaires for Commercial and Industrial Buildings	Premium
110898	HLS-200WUF-CSCRTA	S-TPP5B2	High-Bay Luminaires for Commercial and Industrial Buildings	Premium
110968	HLS-270WUF-CSCRTA	S-VFFFQ7	High-Bay Luminaires for Commercial and Industrial Buildings	Premium

LED High Bay Linear



HL Select Series

Accessories (Sold Separately)





ORDER CODE	MODEL NUMBER	DESCRIPTION	IMAGE
110904	HLS-PMKIT1*	PIPE MOUNT KIT FOR HLS 1.4FT (78W), 1.9FT (135W, 155W - FIXED WATTAGE), 2.6FT (200W). 3.7FT (270W) - FOR 120-277V MODELS	
110905	HLS-PMKIT2*	PIPE MOUNT KIT FOR HLS 1.4FT, 1.9FT (FOR 480V MODELS)	
110906	HLS-PMKIT3*	PIPE MOUNT KIT FOR HLS 2.6FT (FOR 480V MODELS)	
110907	HLS-PMKIT4*	PIPE MOUNT KIT FOR HLS 3.7FT (FOR 480V MODELS)	
110908	HLS-SMKIT1	SURFACE MOUNT KIT FOR HLS 1.4FT (78W), 1.9FT (135W, 155W - FIXED WATTAGE), 2.6FT (200W). 3.7FT (270W) - FOR 120-277V MODELS	
110909	HLS-SMKIT2	PIPE MOUNT KIT FOR HLS 1.4FT, 1.9FT, 2.6FT. 3.7FT (FOR 480V MODELS)	
110910	HLS-WGW1	WIREGUARD FOR 1.4FT (78W) HLS	
110911	HLS-WGW2	WIREGUARD FOR 1.9FT (135W, 155W - Fixed Wattage) HLS	
110912	HLS-WGW3	WIREGUARD FOR 2.6FT (200W) HLS	
110913	HLS-WGW4	WIREGUARD FOR 3.7FT (270W) HLS	
110914	HLS-NLENS1	NARROW BEAM LENS FOR 1.4FT (78W) HLS (2PC)	
110915	HLS-NLENS2	NARROW BEAM LENS FOR 1.9FT (135W, 155W - FIXED WATTAGE) HLS (2PC)	
110916	HLS-NLENS3	NARROW BEAM LENS FOR 2.6FT (200W) HLS (2PC)	
110917	HLS-NLENS4	NARROW BEAM LENS FOR 3.7FT (270W) HLS (2PC)	
74138	MLCHKLSU15	Y CABLE WITH GRIPPER CINCH AND TOGGLES 15'	

LED High Bay Linear HL Select Series

c-Max Basic




105567	CN-REMOTE	CONTROL NODE REMOTE CONTROL	
105565	CN-RDMSW	CONTROL NODE ROUND, WHITE	

c-Max Network

106391	NN-RDW	NETWORK NODE ROUND, WHITE	
108392	WNS5-W	WALL NETWORK SWITCH (BLUETOOTH) WHITE	
105905	NN-RDMSW	NETWORK NODE ROUND, WHITE	
106318	NPP-300W	120-277V NETWORK POWER PACK 300W MAX	

*Contact Maxlite, for Emergency BBU and Pendant Mounting combination.

Sensor

SENSOR	TECHNOLOGY	DIMMING	DAYLIGHT HARVESTING	REMOTE CONTROL	QR CODE
CN-RDMSW	PIR motion sensing, Photoelectric	Bi-Level	Continuous Adjustment Mode (CAM)	CN-REMOTE	
NN-RDMSW	PIR motion sensing, Photoelectric & Bluetooth networking	Bi-Level	Continuous Adjustment Mode (CAM)	c-Max App (iPhone or Android)	
NN-RDW	Bluetooth Networking	N/A	N/A	c-Max App (iPhone or Android)	



LED High Bay Linear

HL Select Series

Specifications		HLS-078W			HLS-135W		
Length		1.4 FT			1.9 FT		
Nominal Wattage (W)**	120-277V AC	78W	92W	115W	135W	155W	185W
	480V AC	88W	102W	125W	145W	165W	195W
Lumens Delivered (lm)		12090	14070	17360	20920	23710	27930
Nominal Efficacy (lm/W)	120-277V AC	155	153	151	155	153	151
	480V AC	140	138	136	140	138	136
Lumens Delivered at BBU mode (lm)		3750 lm (EM suffix)					
CCT*		4000K, 5000K					
CRI		≥ 80					
Calculated L70 Lumen Maintenance		>100,000 hrs					
Beam Angle		90° for Frosted Lens. 40° for Narrow Beam Lens					
Dimming Technology		0-10V					
Dimming Range		10-100%					
Input Voltage		120-277V AC, 480V AC					
Surge Protection		6 kV (Contact Maxlite, if additional surge requirements)			10 kV		
Power Factor		≥ 0.9					
Mounting		Suspended (Chain and V Hooks - Standard)					
Housing		Sheet Steel					
Diffuser		Frosted PMMA (Polymethyl Methacrylate)					
Humidity		10% to 80% RH Non-Condensing					
Operating Temperature		-4°F to 122°F (-20°C to 50°C), except for BBU models. BBU models: 32°F to 113°F (0°C to 45°C) Refer to Operating Temperature Table for more information.					
Certifications		UL listed, RoHS Compliant, FCC					
Qualifications		DLC Premium					
Warranty		10 years. Check maxlite.com/warranties for details					

* Factory default CCT is 5000K.

**Factory Default wattage is set to lowest value.



LED High Bay Linear HL Select Series

Specifications		HLS-155	HLS-200W			HLS-270W		
Length		1.9 FT	2.6 FT			3.7 FT		
Nominal Wattage (W)**	120-277V AC	155W	200W	230W	270W	270W	340W	400W
	480V AC	165W	210W	240W	280W	280W	350W	410W
Lumens Delivered (lm)		23250	31000	35190	40770	41850	52020	60400
Nominal Efficacy (lm/W)	120-277V AC	150	155	153	151	155	153	151
	480V AC	136	140	138	136	140	138	136
Lumens Delivered at	3750 lm (EM suffix)							
CCT*	4000K, 5000K							
CRI	≥ 80							
Calculated	>100,000 hrs							
Beam Angle	90° for Frosted Lens. 40° for Narrow Beam Lens							
Dimming Technology	0-10V							
Dimming Range	10-100%							
Input Voltage	120-277V AC, 480V AC							
Surge Protection	10 kV							
Power Factor	≥ 0.9							
Mounting	Suspended (Chain and V Hooks - Standard)							
Housing	Sheet Steel							
Diffuser	Frosted PMMA (Polymethyl Methacrylate)							
Humidity	10% to 80% RH Non-Condensing							
Operating Temperature	-4°F to 122°F (-20°C to 50°C), except for BBU models. BBU models: 32°F to 122°F (0°C to 50°C) Refer to Operating Temperature Table for more information.							
Certifications	UL listed, RoHS Compliant, FCC							
Qualifications	DLC Premium							
Warranty	10 years. Check maxlite.com/warranties for details							

* Factory default CCT is 5000K.
 **Factory Default wattage is set to lowest value.



LED High Bay Linear HL Select Series

HLS Operating Temperature (For 120-277V Models)

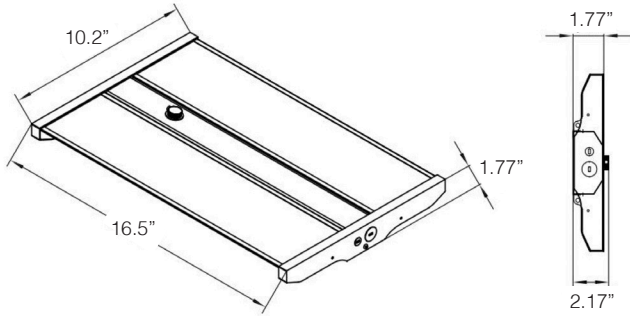
MODEL NUMBER & LENGTH OF HOUSING		120-277V LUMINAIRE	120-277V LUMINAIRE WITH BATTERY BACK UP UNIT	120-277V LUMINAIRE WITH HLS-SMKITX	120-277V LUMINAIRE WITH BATTERY BACK UP UNIT AND HLS-SMKITX	120-277V LUMINAIRE WITH HLS-PMKITX	120-277V LUMINAIRE WITH BATTERY BACK UP UNIT AND HLS-PMKITX
HLS-078WUF-CSCR	1.4ft	-4°F to 122°F (-20°C to 50°C)	32°F to 113°F (0°C to 45°C)	-4°F to 104°F (-20°C to 40°C)	32°F to 104°F (0°C to 40°C)	-4°F to 122°F (-20°C to 50°C) applies when the luminaire is suspended at least 18 inches from the ceiling	32°F to 113°F (0°C to 45°C)
HLS-155UF-CSCR	1.9ft						32°F to 104°F (0°C to 40°C)
HLS-135WUF-CSCR	1.9ft						32°F to 113°F (0°C to 45°C)
HLS-200WUF-CSCR	2.6ft						32°F to 113°F (0°C to 45°C)
HLS-270WUF-CSCR	3.7ft						32°F to 104°F (0°C to 40°C)

HLS Operating Temperature (For 480V Models)

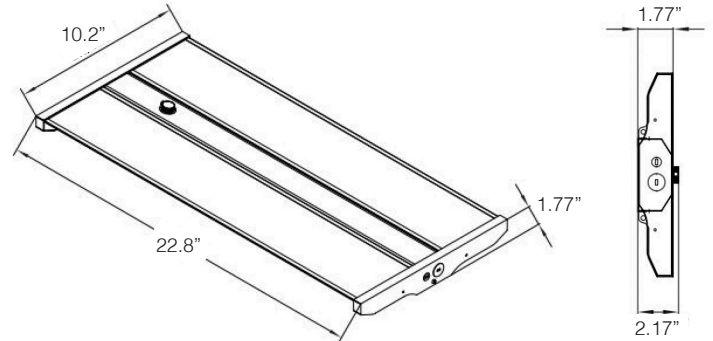
MODEL NUMBER & LENGTH OF HOUSING		480V LUMINAIRE	480V LUMINAIRE WITH HLS-SMKITX	480V LUMINAIRE WITH HLS-PMKITX
HLS-078WUF-CSCR	1.4ft	-4°F to 122°F (-20°C to 50°C)	-4°F to 104°F (-20°C to 40°C)	-4°F to 113°F (-20°C to 45°C) applies when the luminaire is suspended at least 18 inches from the ceiling
HLS-155UF-CSCR	1.9ft	-4°F to 113°F (-20°C to 45°C)		
HLS-135WUF-CSCR	1.9ft	-4°F to 122°F (-20°C to 50°C)		
HLS-200WUF-CSCR	2.6ft	-4°F to 122°F (-20°C to 50°C)		
HLS-270WUF-CSCR	3.7ft	-4°F to 122°F (-20°C to 50°C)		

LED High Bay Linear **HL Select Series**

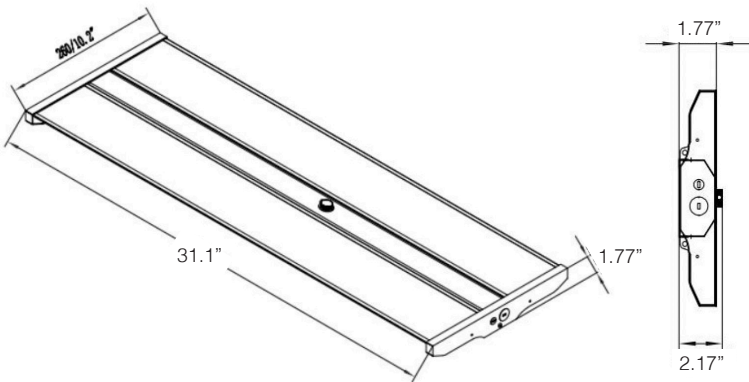
Dimensions (For 120-277V Models)



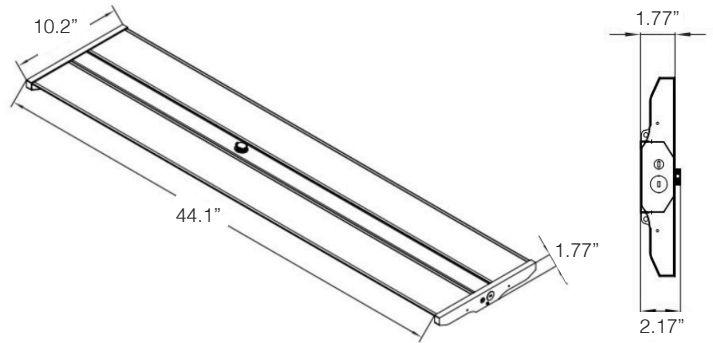
1.4 FT - 78W/ 92W/ 115W (Wattage Selectable)



1.9 FT - 135W/ 155W/ 185W (Wattage Selectable), 155W (Fixed Wattage)



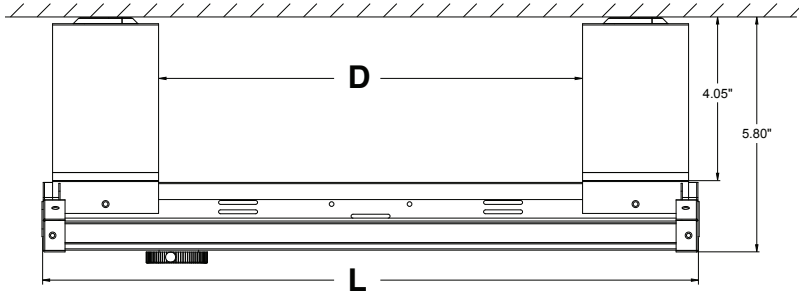
2.6 FT - 200W/ 230W/ 270W (Wattage Selectable)



3.7 FT - 270W/ 340W/ 400W (Wattage Selectable)

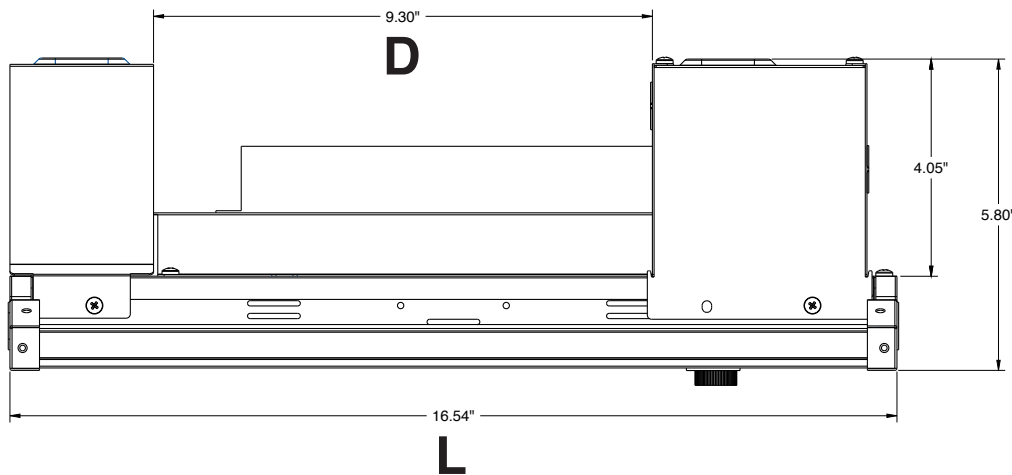
LED High Bay Linear HL Select Series

Surface Mount Kit Dimensions (For 120-277V Models)



	LENGTH OF FIXTURE (L)	INNER DISTANCE BETWEEN THE 2 SMK BRACKETS (D)
1.4FT - 78W/92W/135W	16.54"	10.71"
1.9FT - 135W/155W/185W	22.83"	17.01"
2.6FT - 200W/230W/ 270W	31.10"	25.28"
3.7FT - 270W/ 340W/ 400W	44.09"	38.27"

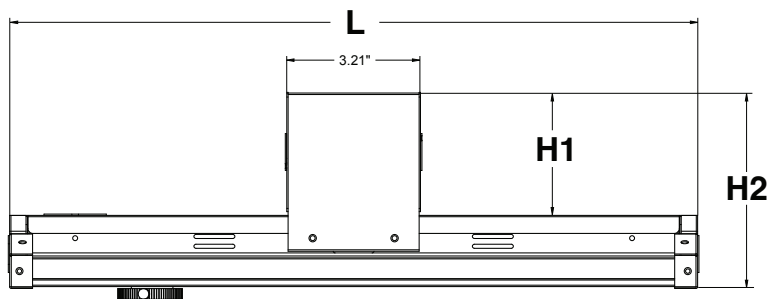
Surface Mount Kit Dimensions (For 480V Models)



	LENGTH OF FIXTURE (L)	INNER DISTANCE BETWEEN THE 2 SMK BRACKETS (D)
1.4FT - 78W/92W/135W	16.54"	9.30"
1.9FT - 135W/155W/185W	22.83"	15.30"
2.6FT - 200W/230W/ 270W	31.10"	25.28"
3.7FT - 270W/ 340W/ 400W	44.09"	38.27"

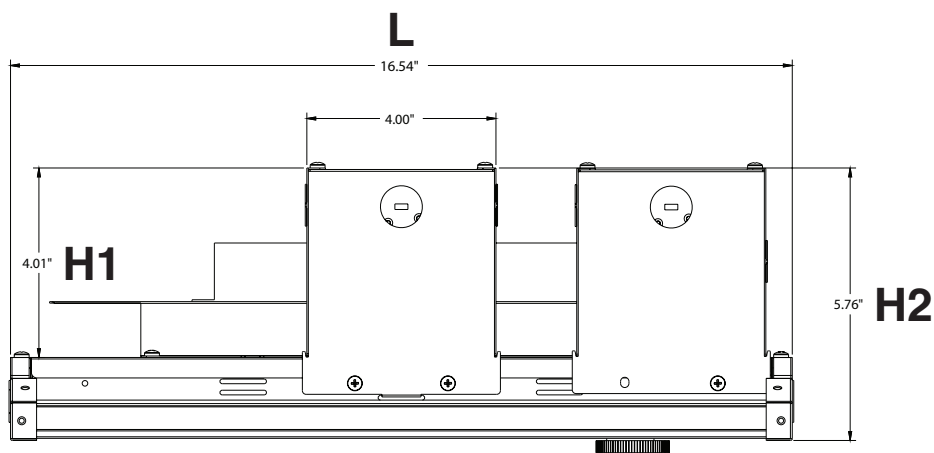
LED High Bay Linear **HL Select Series**

Pipe Mount Kit Dimensions (For 120-277V Models)



	LENGTH OF FIXTURE (L)	HEIGHT FROM TOP OF THE PMK BRACKET TO THE TOP OF THE HOUSING (H1)	HEIGHT FROM TOP OF THE PMK BRACKET TO THE BOTTOM OF THE HOUSING (H2)
1.4FT - 78W/92W/135W	16.54"	2.94"	4.70"
1.9FT - 135W/155W/185W	22.83"	2.94"	4.70"
2.6FT - 200W/230W/ 270W	31.10"	2.94"	4.70"
3.7FT - 270W/ 340W/ 400W	44.09"	2.94"	4.70"

Pipe Mount Kit Dimensions (for 480V models)



	LENGTH OF FIXTURE (L)	HEIGHT FROM TOP OF THE PMK BRACKET TO THE TOP OF THE HOUSING (H1)	HEIGHT FROM TOP OF THE PMK BRACKET TO THE BOTTOM OF THE HOUSING (H2)
1.4FT - 78W/92W/135W	16.54"	4.01"	4.76"
1.9FT - 135W/155W/185W	22.83"	4.01"	4.76"
2.6FT - 200W/230W/ 270W	31.10"	4.01"	4.76"
3.7FT - 270W/ 340W/ 400W	44.09"	4.01"	4.76"