

PROJECT NAME: _____ CAT. #: _____
 NOTES: _____ FIXTURE SCHEDULE: _____

Slim Floods (200-300W) Additional wattages available on separate sheet



200W
Slipfitter Mount



300W
Yoke Mount

Product Description:

The MaxLite Slim Flood Light family delivers high performance in a small and price-effective package. All models are CCT and wattage selectable. Choose between a Yoke or Slipfitter mount. A 7-pin NEMA twist lock receptacle with shorting cap is included standard. In addition there is a control base which allows for field installed controls.

Features:

- Wattage and CCT selectable
- Medium and Wide lenses available

Installation:

- Models available with either a knuckle slipfitter or yoke mount

Construction:

- Die cast aluminum housing with corrosion resistant powder coat paint
- Shatter resistant tempered glass lens

Controls:

- 7-pin twist lock receptacle with shorting cap included
- Control base for field installable controls included

Ordering Information

| FAMILY | WATTAGE | HOUSING | VOLTAGE | DISTRIBUTION | - | WATTAGE & CCT | COLOR | MOUNTING | CONTROLS |
|-------------------------|--|--------------------|--|--------------------------------------|---|--|---|--|---|
| MSF = Slim Flood | 200 = 200W (200/180/150) 300 = 300W (300/280/260) | E = Low EPA | U = 120-277V H = 277-480V | W = Wide M = Medium | - | WCS = Wattage/ CCT Selectable <i>See spec chart for lower wattage settings</i> | B = Bronze <i>Contact MaxLite for additional finishes</i> | K = Slipfitter Knuckle Y = Yoke | CBPR7 = Controls Base for HBE controls, 7-pin twist lock receptacle with shorting cap <i>Both included standard</i> |

DLC 5.1 Listing

| Model Number | DLC Product ID | General Application | DLC Category |
|----------------------------|----------------|---------------------|---|
| MSF200EHM-WCS[ALL OPTIONS] | S-Q30V1D | High Output | Architectural Flood and Spot Luminaires |
| MSF200EHW-WCS[ALL OPTIONS] | S-GCTN8D | High Output | Architectural Flood and Spot Luminaires |
| MSF200EUM-WCS[ALL OPTIONS] | S-Z6KRFB | High Output | Architectural Flood and Spot Luminaires |
| MSF200EUW-WCS[ALL OPTIONS] | S-G5G5QD | High Output | Architectural Flood and Spot Luminaires |
| MSF300EHM-WCS[ALL OPTIONS] | S-NW7LZ7 | Very High Output | Architectural Flood and Spot Luminaires |
| MSF300EHW-WCS[ALL OPTIONS] | S-2F5RIK | Very High Output | Architectural Flood and Spot Luminaires |
| MSF300EUM-WCS[ALL OPTIONS] | S-D588PV | Very High Output | Architectural Flood and Spot Luminaires |
| MSF300EUW-WCS[ALL OPTIONS] | S-OZBTM2 | Very High Output | Architectural Flood and Spot Luminaires |



5-year standard warranty (further details available at www.maxlite.com/warranties) Product may be eligible for a warranty extension to 10 years, for an additional fee. Contact MaxLite for details.

Slim Floods (200-300W) Additional wattages available on separate sheet

Lumens Range - Universal 120-277

| Model Number | Wattage | Lumens | Lens Type |
|---------------|---------|---------------|-----------|
| MSF200EUM-WCS | 150W | 21,300-22,500 | Medium |
| MSF200EUM-WCS | 180W | 25,600-27,000 | Medium |
| MSF200EUM-WCS | 200W | 28,400-30,000 | Medium |
| MSF200EUW-WCS | 150W | 21,000-22,300 | Wide |
| MSF200EUW-WCS | 180W | 25,300-26,800 | Wide |
| MSF200EUW-WCS | 200W | 28,200-29,900 | Wide |
| MSF300EUM-WCS | 260W | 34,500-36,700 | Medium |
| MSF300EUM-WCS | 280W | 37,200-39,600 | Medium |
| MSF300EUM-WCS | 300W | 39,200-41,700 | Medium |
| MSF300EUW-WCS | 260W | 34,500-36,600 | Wide |
| MSF300EUW-WCS | 280W | 37,100-39,400 | Wide |
| MSF300EUW-WCS | 300W | 39,100-41,600 | Wide |

Lumens Range - High Voltage 277-480V

| Model Number | Wattage | Lumens | Lens Type |
|---------------|---------|---------------|-----------|
| MSF200EHM-WCS | 150W | 21,300-22,500 | Medium |
| MSF200EHM-WCS | 180W | 25,600-27,000 | Medium |
| MSF200EHM-WCS | 200W | 29,200-30,900 | Medium |
| MSF200EHW-WCS | 150W | 20,900-22,100 | Wide |
| MSF200EHW-WCS | 180W | 25,100-26,500 | Wide |
| MSF200EHW-WCS | 200W | 28,700-30,000 | Wide |
| MSF300EHM-WCS | 260W | 35,000-37,500 | Medium |
| MSF300EHM-WCS | 280W | 37,700-40,300 | Medium |
| MSF300EHM-WCS | 300W | 40,000-42,900 | Medium |
| MSF300EHW-WCS | 260W | 34,800-37,000 | Wide |
| MSF300EHW-WCS | 280W | 37,400-39,900 | Wide |
| MSF300EHW-WCS | 300W | 39,800-42,300 | Wide |

Accessories (SOLD SEPARATELY)

| ORDER CODE | MODEL NUMBER | DESCRIPTION | IMAGE |
|------------|---------------|---|-------|
| 110934 | MSF200E-VISOR | SLIM FLOOD MSF200E VISOR INCLUDE HARDWARE | |
| 110935 | MSF300E-VISOR | SLIM FLOOD MSF300E VISOR INCLUDE HARDWARE | |
| 72055 | PCTL-UNV | TWIST-LOCK ELECTRONIC PHOTOCONTROL 120/208/240/277V | |
| 1408292 | PCTL-HV | TWIST-LOCK ELECTRONIC PHOTOCONTROL 480V (REQUIRES RPC FIXTURE OPTION) | |
| 96268 | MLRTLPCRSP | SHORTING CAP FOR NEMA TWIST LOCK PHOTOCELL RECEPTACLE (3, 5 OR 7 PIN) (Replacement purposes) | |
| 111159 | HBEWHIP | WHITE FLEXIBLE WIRE WHIP ADJUSTABLE TO ANY DIRECTION (REQUIRES 1PC MS-HBE-B TO INSTALL TO THE WHIP) | |
| 109134 | MS-HBE-B | MOTION SENSOR/PC, BRONZE FOR 200/300W SLIM FLOODS (REQUIRES 1PC HBE-REMOTE TO PROGRAM & 1PC HBEWHIP TO INSTALL ON) | |
| 109135 | HBE-REMOTE | REMOTE CONTROL FOR MOTION SENSOR/PC FOR 200/300W SLIM FLOODS - MINIMUM OF ONE PER PROJECT (REQUIRES 1PC MS-HBE-B & 1PC HBEWHIP TO INSTALL TO THE FIXTURE) | |



300W, Slipfitter with HBEWHIP and MS-HBE-B

Slim Floods (200-300W) Additional wattages available on separate sheet

Specifications

| Specifications | MSF200EUM-WCS* | | | MSF200EUW-WCS* | | |
|--|---|---------------|---------------|----------------|---------------|---------------|
| | 150W | 180W | 200W | 150W | 180W | 200W |
| Power Consumption (W) | 150W | 180W | 200W | 150W | 180W | 200W |
| Lumens (lm) - See Lumen Range Chart on page 2 | 21,300-22,500 | 25,600-27,000 | 28,000-30,000 | 21,000-22,300 | 25,300-26,800 | 28,200-29,900 |
| Efficacy (lm/w) | 142-150 | 142-150 | 140-150 | 140-148 | 140-148 | 141-149 |
| CRI | >80 | | | | | |
| Color Temperature (K) | 3000K/4000K/5000K | | | | | |
| Controls | 7 pin twist lock receptacle with shorting cap and control base receptacle for motion sensor/PC control accessory (sold separate) standard | | | | | |
| Beam Type | Medium - 5H5V | | | Wide - 7H6V | | |
| Voltage | 120-277V, 277-480V available, 50/60Hz | | | | | |
| Surge Protection | 6kV | | | | | |
| Lumen Maintenance (L70) hrs | >100,000 hours | | | | | |
| Housing | Die cast aluminum with corrosion resistant powder coat paint | | | | | |
| Lens | Shatter resistant tempered glass | | | | | |
| Operating Temperature | -40°F - 104°F (-40°C - 40°C) | | | | | |
| Listings | ULus, FCC | | | | | |
| EPA (sq ft) - 0° (Horizontal) / 90° (Vertical) | 0.51/0.81 | | | | | |
| Environment | ULus wet locations, IP65 | | | | | |
| Weight | 11lbs/5kg | | | | | |
| Warranty | 5 Years | | | | | |

* 5000K Default on CCT switch and set highest wattage

Slim Floods (200-300W) Additional wattages available on separate sheet

Specifications

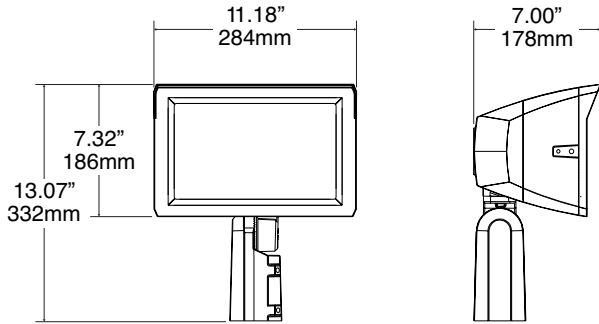
| | MSF300EUM-WCS* | | | MSF300EUW-WCS* | | |
|--|--|---------------|---------------|----------------|---------------|---------------|
| Power Consumption (W) | 260W | 280W | 300W | 260W | 280W | 300W |
| Lumens (lm) - See Lumen Range Chart on page 2 | 34,500-36,700 | 37,200-39,600 | 39,200-41,700 | 34,500-36,600 | 37,100-39,400 | 39,100-41,600 |
| Efficacy (lm/w) | 132-141 | 132-141 | 130-139 | 132-140 | 132-140 | 130-138 |
| CRI | >80 | | | | | |
| Color Temperature (K) | 3000K/4000K/5000K | | | | | |
| Controls | 7pin twist lock receptacle with shorting cap and control base receptacle for motion sensor/PC control accessory (sold separate) standard | | | | | |
| Beam Type | Medium - 5H5V | | | Wide - 7H6V | | |
| Voltage | 120-277V, 277-480V available, 50/60Hz | | | | | |
| Surge Protection | 6kV | | | | | |
| Lumen Maintenance (L70) hrs | >100,000 hours | | | | | |
| Housing | Die cast aluminum with corrosion resistant powder coat paint | | | | | |
| Lens | Shatter resistant tempered glass | | | | | |
| Operating Temperature | -40°F - 104°F (-40°C - 40°C) | | | | | |
| Listings | ULus, FCC | | | | | |
| EPA (sq ft) - 0° (Horizontal) / 90° (Vertical) | 0.63/1.1 | | | | | |
| Environment | ULus wet locations, IP65 | | | | | |
| Weight | 14lbs/6.5kg | | | | | |
| Warranty | 5 Years | | | | | |

* 5000K Default on CCT switch and set highest wattage

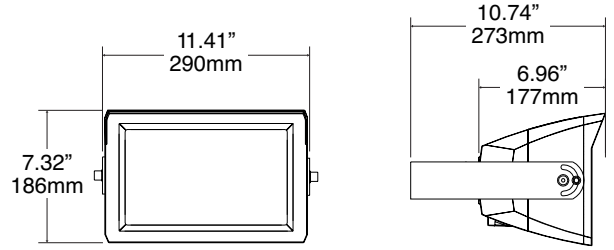
Slim Floods (200-300W) Additional wattages available on separate sheet

Dimensions

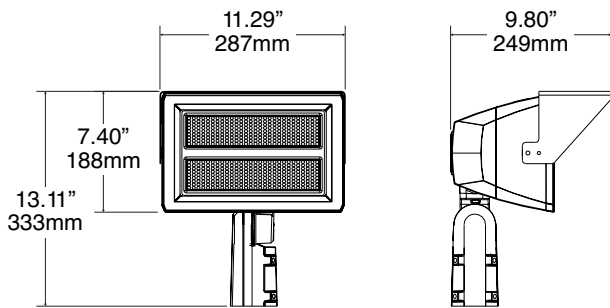
200W - Slipfitter



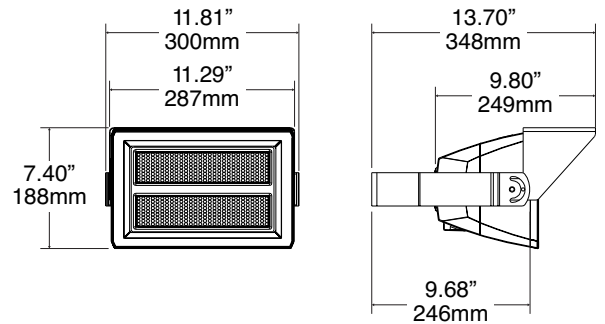
200W - Yoke



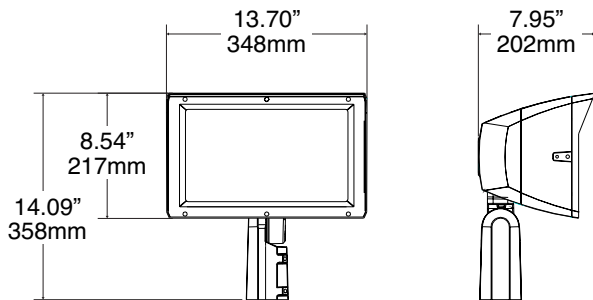
200W - Slipfitter with Visor



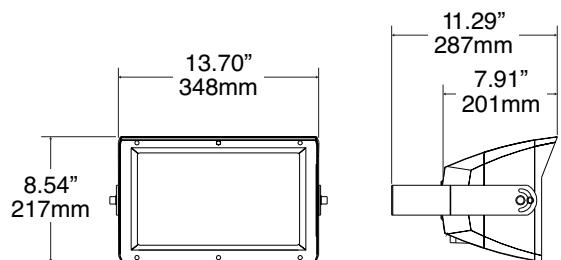
200W - Yoke with Visor



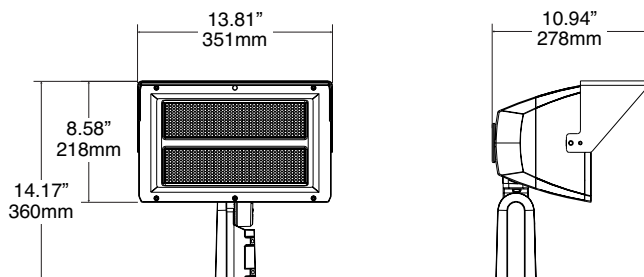
300W - Slipfitter



300W - Yoke



300W - Slipfitter with Visor



300W - Yoke with Visor

