

PROJECT NAME: _____ CAT. #: _____
 NOTES: _____ FIXTURE SCHEDULE: _____

WallMax Compact Open Face

WCOP Series



Fixture with Wire Guard



Fixture with Visor

Product Description:

The WallMax Compact Open Face Wall Pack is a smaller version of our standard WallMax Open Face Wall Pack. Like its larger sibling, it offers many field-selectable CCT and wattage options. For controls it includes a photocell standard with an on/off switch to empower the customer with the option to engage the dusk to dawn feature. Available in 5 wattages covering 28W - 120W, it provides a value solution for standard wall lighting applications.

Features:

- CCT selectable between 3000K, 4000K or 5000K
- Photocell with on/off switch included standard
- 4 conduit holes (one on each side) for surface conduit applications

Construction:

- Rugged die cast housing with corrosion resistant polyester powder paint finish
- Impact resistant borosilicate glass

MaxLite Makes It!

Don't see what you need? Additional wattages and specifications available upon request - contact your MaxLite rep!

Ordering Structure

FAMILY	WATTAGE (NOMINAL)	VOLTAGE	-	CCT	COLOR	CONTROLS
WCOP= WallMax Compact Open Face	28= 28W 40= 40W 80= 80W	U= Universal 120-277V	-	CS=3/4/5K	B= Dark Bronze Contact MaxLite for additional finishes	PC= 120-277V Photocell included standard with on/off switch
	60 ¹ = 60W 120 ¹ = 120W			WCS= 3/4/5K, Wattage Selectable		

Ordering Notes:

¹Wattage Selectable: 60W - 28/40/60W / 120W - 80/100/120W
 * Based on CCT Selected and color mixing, all LEDs may not be activated.

Stocked Items

MODEL NUMBER	ORDER CODE	DLC ID#	MODEL NUMBER	ORDER CODE	DLC ID#
WCOP28U-CSBPC	105017	PLBPY6EBEKAD	WCOP80U-CSBPC	108276	PLLQV09Y29D
WCOP40U-CSBPC	105936	PL795SAKY1H5	WCOP40U-CSBPC	105936	PL795SAKY1H5
WCOP60U-WCSBPC	105937	PLZRECMWBY6E	WCOP120U-WCSBPC	108277	PLXNE7D2P6NM

Accessories

MODEL NUMBER	ORDER CODE	DESCRIPTION	IMAGE	MODEL NUMBER	ORDER CODE	DESCRIPTION	IMAGE
WCOP-SVISOR-B	106164	WallMax Compact Open Face Visor Small Housing, Bronze		WCOP-LVISOR-B	108278	WallMax Compact Open Face Visor Large Housing, Bronze	
WCOP-SWG	106165	WallMax Compact Open Face Wire Guard Small Housing		WCOP-LWG	108279	WallMax Compact Open Face Wire Guard Large Housing	



5-year standard warranty

(further details available at www.maxlite.com/warranties) Product may be eligible for a warranty extension to 10 years, for an additional fee. Contact MaxLite for details.

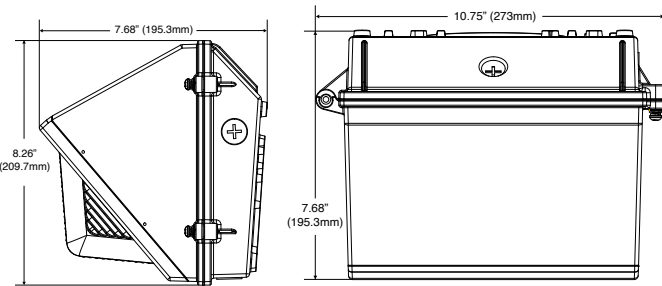
WallMax Compact Open Face

WCOP Series

Specifications	WCOP28	WCOP40	WCOP60	WCOP80	WCOP120
Nominal Wattage (W)	29	40	60	80	120
Output (lm)	min 3,500	min 4,800	min 7,800	min 12,000	min 17,500
Efficacy (lm/W)	min 120	min 120	min 131	min 148	min 142
CCT	3000K, 4000K or 5000K				
CRI	>80				
Dimming	0-10V				
Power Factor	>0.90				
Input Voltage	120-277V				
Surge Protection	2.5KV	4KV	4KV	6KV	6KV
Housing	Die Cast Aluminum with polyester powder coat paint finish				
Lens	Borosilicate Glass				
Listings	cULus, FCC, DLC 5.1 Premium				
Environment	Wet locations and IP65				
Warranty	5-year standard warranty*				

Dimensions

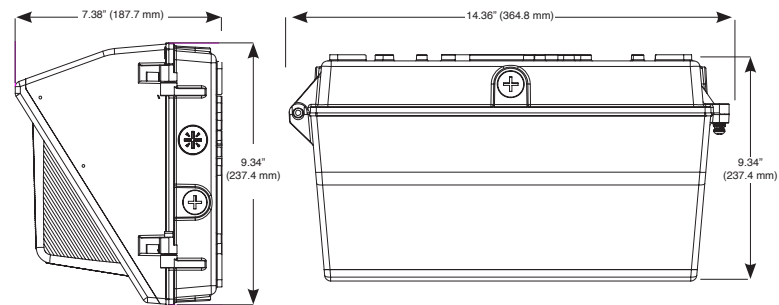
28-60W:



Side View

Top View

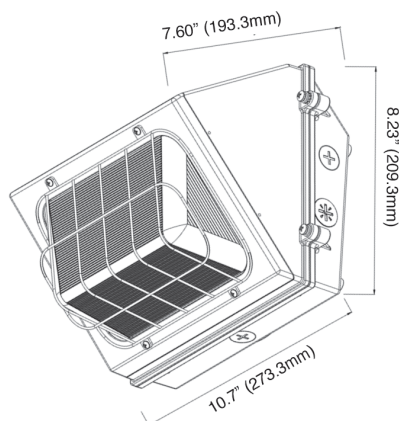
80-120W:



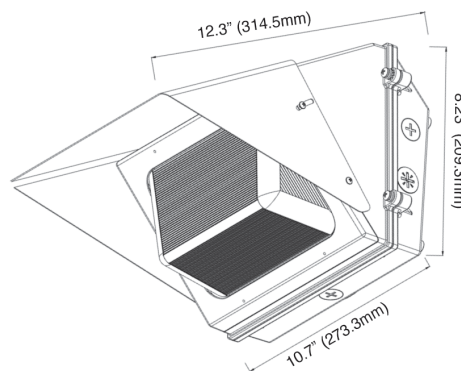
Side View

Top View

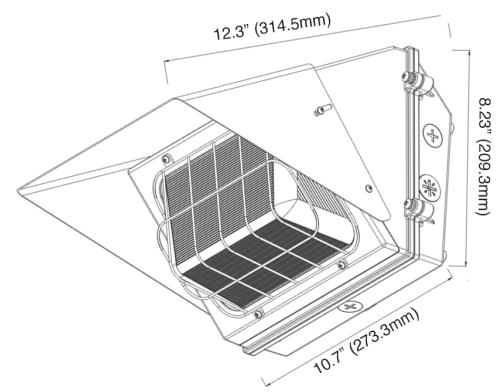
28-60W
Small Housing:



Wire Guard



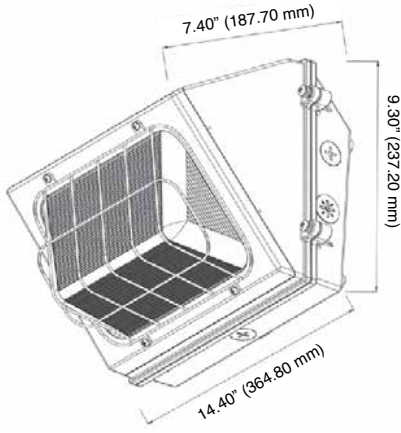
Visor



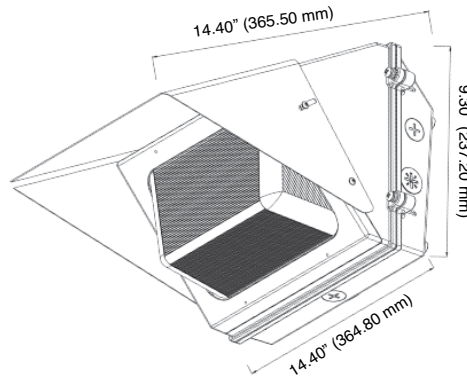
Visor + Wire Guard

WallMax Compact Open Face WCOP Series

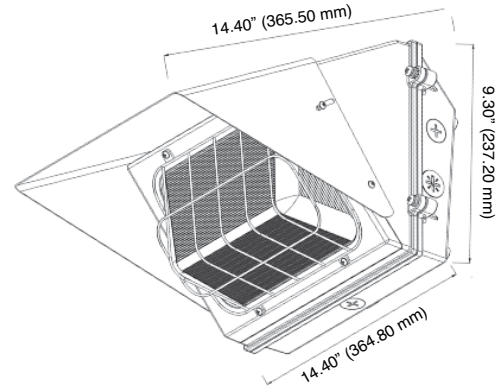
80-120W
Large Housing:



Wire Guard



Visor



Visor + Wire Guard